



Precision Transducers Ltd.



Model LPX

LOW PROFILE MINI DISK

25, 50, 100, 250, 500, 1000kg 2.5, 5, 10, 25, 50t

APPLICATIONS

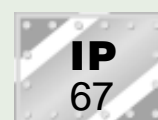
- Low profile platforms
- Hoppers & tank weighing
- Process weighing
- Hostile environments
- Industrial weighing
- Mini disk applications



FEATURES

- Miniature compression type
- Replaces similar low cost models
- Rugged tool steel construction
- Designed for economical weighing
- Simple installation
- Corrosion resistant electroless nickel plated
- Standard compression mount available
- Sealed to IP67 standards

<http://www.precisiontransducers.com>





Model LPX

LOW PROFILE MINI DISK

25, 50, 100, 250, 500, 1000kg 2.5, 5, 10, 25, 50t

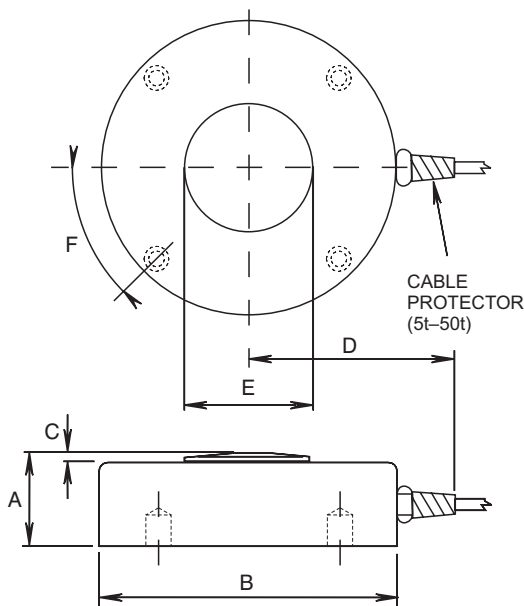
Ordering Information

Capacity	Model
25kg	LPX 25
50kg	LPX 50
100kg	LPX 100
250kg	LPX 250
500kg	LPX 500
1000kg	LPX 1000
2.5t	LPX 2500
5.0t	LPX 5000
10.0t	LPX 10000
25.0t	LPX 25000
50.0t	LPX 50000

Cable Colour Code

Excitation +ve	Red
Sense +ve	Brown
Excitation -ve	Black
Sense -ve	Blue
Signal +ve	Green
Signal -ve	White

Note: Only 6 core cable has Sense (25kg-2500kg 4 core)

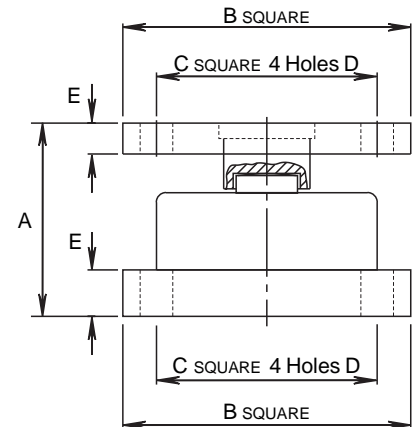


Cell fixing holes spaced at 90°

A full range of accessories is available, please contact us for further details

Accessories

The complete mount below is used with the LPX in compression load applications. This mount has convenient bolt holes located on both the top and bottom plates, integral side restraint is accommodated by the special restraining socket.



Load Cell Dimensions

Capacity	A	B	C	D	E	F
25-1000kg	22	52	4	30	10	M5 x 0.8 on 44 PCD
2.5t	25	52	4	30	10	M5 x 0.8 on 44 PCD
5.0t	30	100	5	95	20	M6 x 1.0 on 85 PCD
10.0t	35	100	5	95	20	M6 x 1.0 on 85 PCD
25.0t	50	115	10	100	32	M12 x 1.75 on 90 PCD
50.0t	55	155	12	125	45	M12 x 1.75 on 130 PCD

Accessory Dimensions

Capacity	A	B	C	D	E	F
25-1000kg	55	100	65	∅ 14	11.5	11.5
2.5t	58	100	65	∅ 14	11.5	11.5
5.0t	76	125	100	∅ 14	15	15
10.0t	81	125	100	∅ 14	15	15
25.0t	100	150	115	∅ 17	24	16
50.0t	115	180	135	∅ 17	31	16

Dimensions are shown in millimeters and capacities are in kgs/metric tons

Specifications

Nominal capacity	25kg to 50000kg	Input Resistance	410 ohms nominal
Nominal output at capacity	2.0 mV/V ±0.1%	Service Load	100% of capacity
Factory calibration mode	compression	Safe Load	150% of capacity
Linearity error	0.1%	Mechanical Failure	>300% of capacity
Repeatability	0.07%	Recommended Excitation	5V to 20V ac/dc
Zero return, creep (30 mins)	0.07%	Maximum Excitation	25V dc
Temperature Effect on Span/10° C	0.01%	Cable Type	4 or 6 conductor screened
Temperature Effect on Zero/10° C	0.07%	Cable Length	25kg-2.5t 3 Metres 4 Core 5t-10t 5 Metres 6 Core 25t-50t 10 Metres 6 Core
Insulation Resistance - brg. to gnd	>5000 M ohms	Environmental Protection	IP67 Standard
Insulation Resistance - cbl. to gnd	>1000 M ohms		
Compensated temp. range	-10° C to 50° C		
Output Resistance	351 ohms nominal		

Note: All specifications are a maximum, as a % (±) of full load, unless otherwise stated.



Precision Transducers Ltd.

Sales & Product Information

P.O. Box 7205, Baulkham Hills, BC, NSW 2153, Australia

International	Fax +61 2 9680 7014	Phone +61 2 9680 7966
Australia	Fax 02 9680 7014	Phone 1800 777 866
New Zealand	Fax 0800 333 321	Phone 0800 543 210
Email	sales@precisiontransducers.com	

<http://www.precisiontransducers.com>



Due to Precision Transducer's policy of continuous development, these specifications are subject to change without notice.