

BC Single point load cell, 3kgf - 30kgf



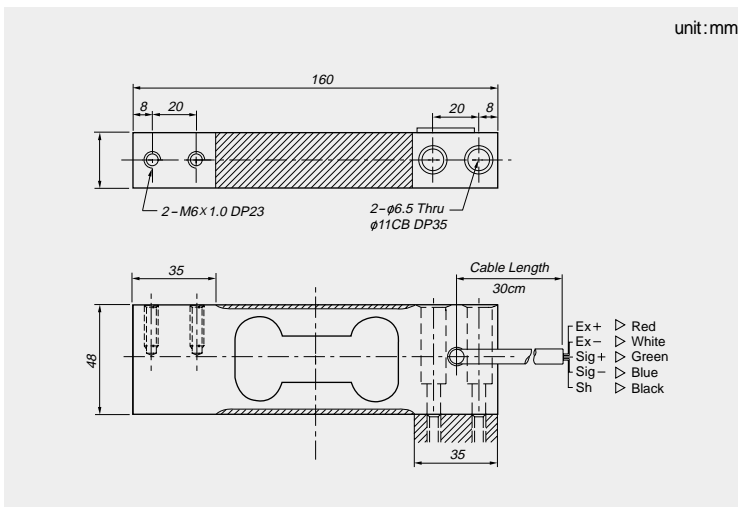
FEATURES

- Low cost
- Off center compensated
- Protection class IP65

SPECIFICATIONS

Max. capacity	kgf	3, 5, 15, 30
Rated output	mV/V	3 ~ 5kgf: 1.0(Approx.)/15 ~ 30kgf: 1.2(Approx.)
Zero balance	mV/V	0 ± 0.06
Combined error	%	0.03
Repeatability	%	0.01
Creep for 30 min.	%	0.03
Temperature effect on		
Zero Value	%/10°C	0.028
Output value	%/10°C	0.015
Excitation		
Recommended	V	10
Maximum	V	15
Resistance		
Input	Ω	420 ± 20
Output	Ω	350 ± 3.5
Insulation	MΩ	> 2,000
Compensated temperature range	°C	-10 to +40
Operating temperature range	°C	-20 to +70

DIMENSIONS



Material

Anodized Aluminum

Mounting

Socket-head cap screw M6 × 1.0(10.9)
Tightening torque: 12.2Nm

Cable

Braided Shield 4-wire round cable
with PVC-Jacket

Maximum Platform Size

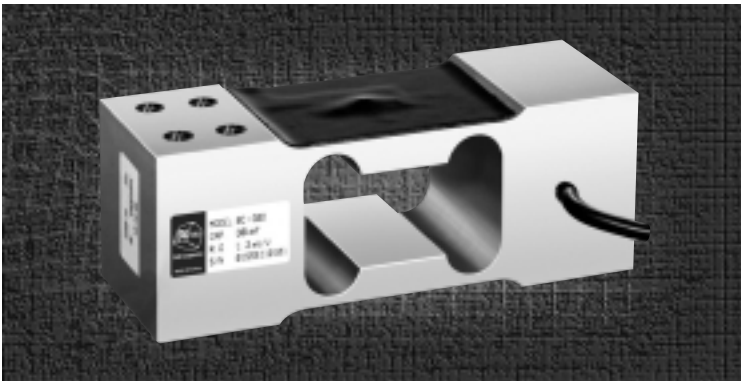
400 × 400mm (W × L)

Ordering Information

BC - XXXL

Capacity in kg

BC Single point load cell, 30kgf - 150kgf



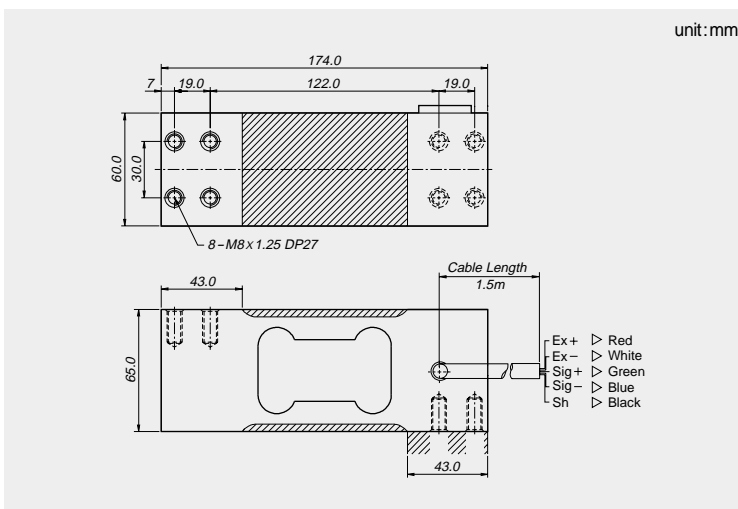
FEATURES

- Low cost
- Off center compensated
- Protection class IP65

SPECIFICATIONS

Max. capacity	kgf	30, 60, 100, 150
Rated output	mV/V	1.2 (Approx.)
Zero balance	mV/V	0 ± 0.06
Combined error	%	0.03
Repeatability	%	0.01
Creep for 30 min.	%	0.03
Temperature effect on		
Zero Value	%/10°C	0.028
Output value	%/10°C	0.015
Excitation		
Recommended	V	10
Maximum	V	15
Resistance		
Input	Ω	420 ± 20
Output	Ω	350 ± 3.5
Insulation	M Ω	> 2,000
Compensated temperature range	°C	-10 to +40
Operating temperature range	°C	-20 to +70

DIMENSIONS



Material

Anodized Aluminum

Mounting

Socket-head cap screw M8 x 1.25(10.9)
Tightening torque: 29.5Nm

Cable

Braided Shield 4-wire round cable
with PVC-Jacket

Maximum Platform Size

400 x 600mm (W x L)

Ordering Information

BC - XXXD

Capacity in kg



FEATURES

- OIML C3 approved (OIML R60)
- NTEP III 5,000S approved (Handbook 44)
- Off center compensated (OIML R76)
- Protection class IP65

OPTIONS

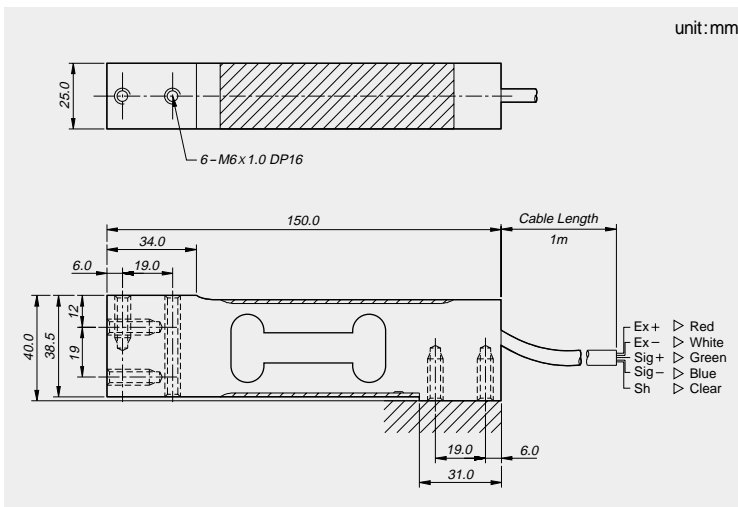
- OIML C3 approved (C3)
- NTEP III 5,000S approved (A5)
- 6-wires connection



SPECIFICATIONS

Max. capacity	kgf	5, 10, 15, 20, 30, 50, 75, 100	
Rated output	mV/V	2.0 ± 0.2	
Zero balance	mV/V	0 ± 0.1	
Accuracy class		D3	C3, A5
Combined error	%	0.03	0.02
Repeatability	%	0.01	0.01
Creep for 30 min.	%	0.03	0.017
Temperature effect on			
Zero Value	%/10°C	0.028	0.014
Output value	%/10°C	0.014	0.011
Excitation			
Recommended	V	10	
Maximum	V	15	
Resistance			
Input	Ω	400 ± 20	
Output	Ω	350 ± 3.5	
Insulation	MΩ	> 2,000	
Compensated temperature range	°C	-10 to +40	
Operating temperature range	°C	-20 to +70	

DIMENSIONS



Material

Anodized Aluminum

Mounting

Socket-head cap screw M6 × 1.0(10.9)
Tightening torque: 14Nm

Cable

Braided Shield 4-wire round cable
with Urethane - Jacket

Maximum Platform Size

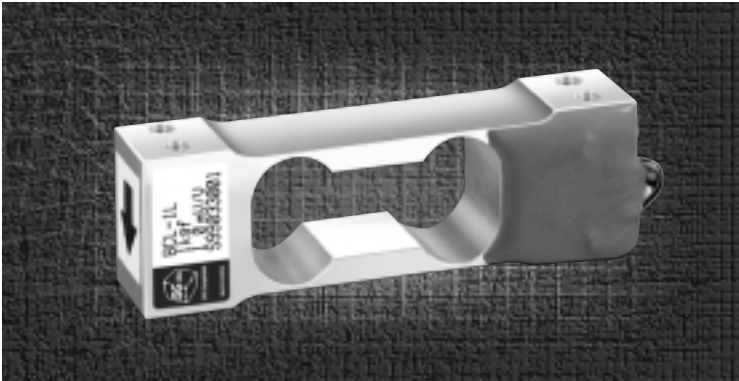
400 × 400mm

Ordering Information

BCA - XXXL

Capacity in kg

BCL Single point load cell, 1kgf - 3kgf



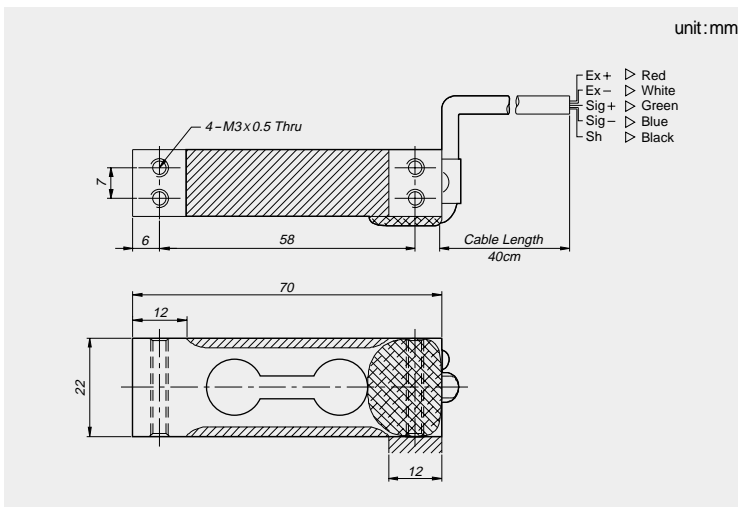
FEATURES

- Low-profile
- Off center compensated
- Protection class IP65

SPECIFICATIONS

Max. capacity	kgf	1, 2, 3
Rated output	mV/V	1.0 ± 0.1
Zero balance	mV/V	0 ± 0.05
Combined error	%	0.03
Repeatability	%	0.01
Creep for 30 min.	%	0.03
Temperature effect on		
Zero Value	%/10°C	0.028
Output value	%/10°C	0.014
Excitation		
Recommended	V	10
Maximum	V	15
Resistance		
Input	Ω	400 ± 20
Output	Ω	350 ± 3.5
Insulation	MΩ	> 2,000
Compensated temperature range	°C	-10 to +40
Operating temperature range	°C	-20 to +70

DIMENSIONS



Material

Anodized Aluminum

Mounting

Socket-head cap screw M3 × 0.5(10.9)
Tightening torque: 1.5Nm

Cable

Braided Shield 4-wire round cable
with PVC-Jacket

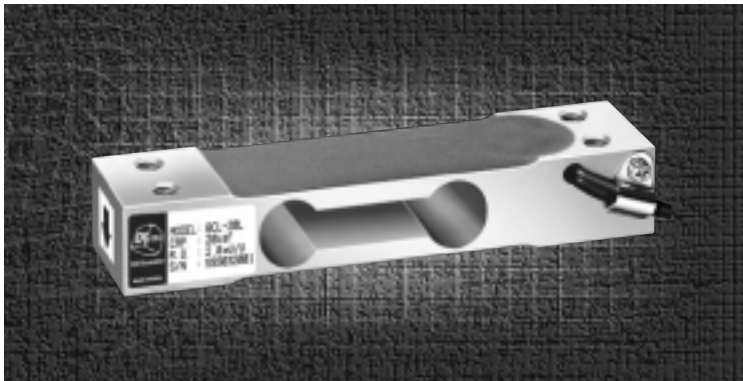
Maximum Platform Size

200 × 200mm

Ordering Information

BCL - XL

Capacity in kg



FEATURES

- Low cost
- Low-profile
- PTB and OIML C3 approved (OIML R60)
- Off center compensated (OIML R76)
- Protection class IP65

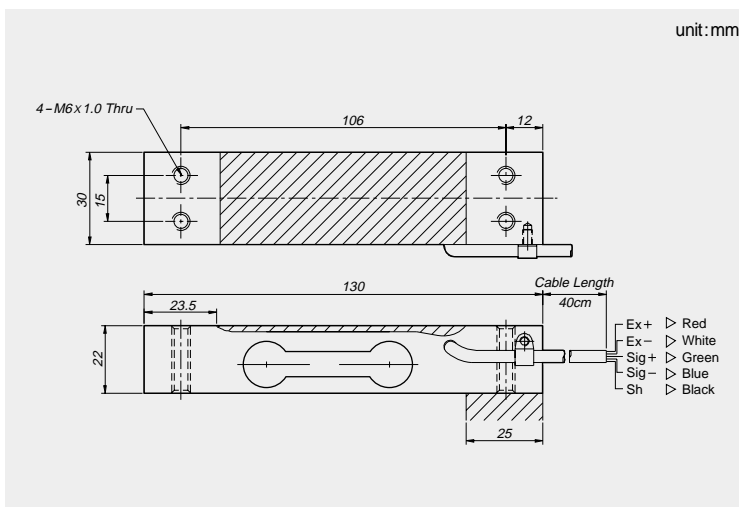
OPTIONS

- 6-wires connection
- OIML C3 approved

SPECIFICATIONS

Max. capacity	kgf	6, 10, 15, 20, 30	
Rated output	mV/V	2.0 ± 0.2	
Zero balance	mV/V	0 ± 0.1	
Accuracy class		D3	C3
Combined error	%	0.03	0.02
Repeatability	%	0.01	0.01
Creep for 30 min.	%	0.03	0.017
Temperature effect on			
Zero Value	%/10°C	0.028	0.014
Output value	%/10°C	0.014	0.011
Excitation			
Recommended	V	10	
Maximum	V	15	
Resistance			
Input	Ω	400 ± 20	
Output	Ω	350 ± 3.5	
Insulation	MΩ	> 2,000	
Compensated temperature range	°C	-10 to +40	
Operating temperature range	°C	-20 to +70	

DIMENSIONS



Material

Anodized Aluminum

Mounting

Socket-head cap screw M6 × 1.0(10.9)
Tightening torque: 14Nm

Cable

Braided Shield 4-wire round cable
with PVC-Jacket

Maximum Platform Size

300 × 300mm

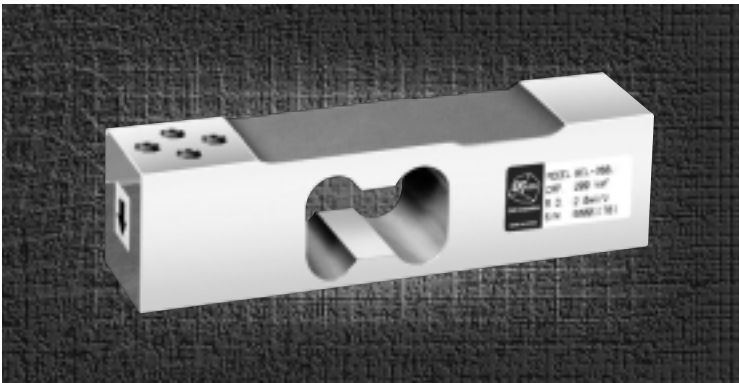
Ordering Information

BCL - XXL

Capacity in kg

BCL Single point load cell, 60kgf - 200kgf

DG CELL



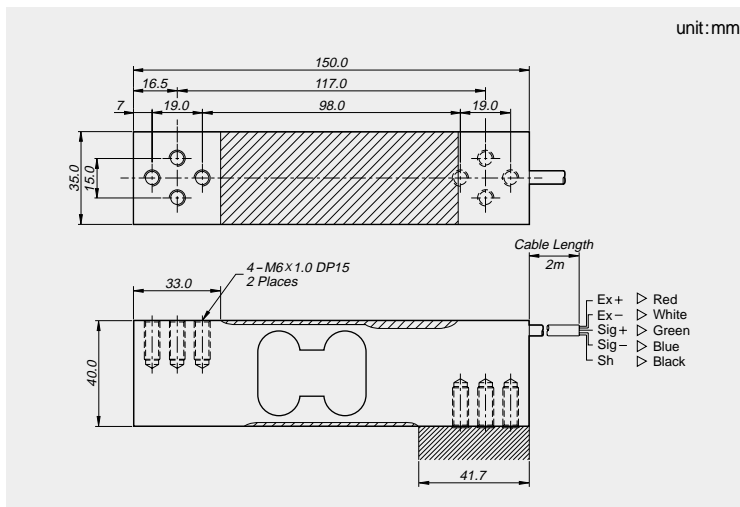
FEATURES

- Low cost
- Low-profile
- Off center compensated
- Protection class IP65

SPECIFICATIONS

Max. capacity	kgf	60, 100, 150, 200
Rated output	mV/V	2.0 ± 0.2
Zero balance	mV/V	0 ± 0.1
Combined error	%	0.03
Repeatability	%	0.01
Creep for 30 min.	%	0.03
Temperature effect on		
Zero Value	%/10°C	0.028
Output value	%/10°C	0.014
Excitation		
Recommended	V	10
Maximum	V	15
Resistance		
Input	Ω	400 ± 20
Output	Ω	350 ± 3.5
Insulation	MΩ	> 2,000
Compensated temperature range	°C	-10 to +40
Operating temperature range	°C	-20 to +70

DIMENSIONS



Material

Anodized Aluminum

Mounting

Socket-head cap screw M6 × 1.0(10.9)
Tightening torque: 14Nm

Cable

Braided Shield 4-wire round cable
with PVC-Jacket

Maximum Platform Size

400 × 400mm

Ordering Information

BCL - XXXL

Capacity in kg



FEATURES

- OIML C3 approved (OIML R60)
- NTEP III 5,000S approved (Handbook 44)
- Off center compensated (OIML R76)
- Protection class IP65

OPTIONS

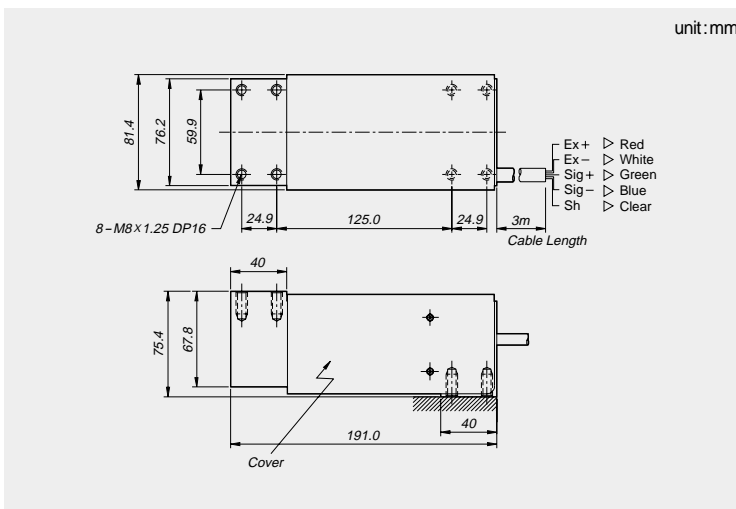
- OIML C3 approved (C3)
- NTEP III 5,000S approved (A5)
- 6-wires connection



SPECIFICATIONS

Max. capacity	kgf	50, 75, 100, 150, 200, 300, 500	
Rated output	mV/V	2.0 ± 0.2	
Zero balance	mV/V	0 ± 0.1	
Accuracy class		D3	C3, A5
Combined error	%	0.03	0.02
Repeatability	%	0.01	0.01
Creep for 30 min.	%	0.03	0.017
Temperature effect on			
Zero Value	%/10°C	0.028	0.014
Output value	%/10°C	0.014	0.011
Excitation			
Recommended	V	10	
Maximum	V	15	
Resistance			
Input	Ω	400 ± 20	
Output	Ω	350 ± 3.5	
Insulation	MΩ	> 2,000	
Compensated temperature range	°C	-10 to +40	
Operating temperature range	°C	-20 to +70	

DIMENSIONS



Material

Anodized Aluminum

Mounting

Socket-head cap screw M8 × 1.25(10.9)

Tightening torque: 29Nm

Cable

Braided Shield 4-wire round cable with Urethane-Jacket

Maximum Platform Size

600 × 600mm

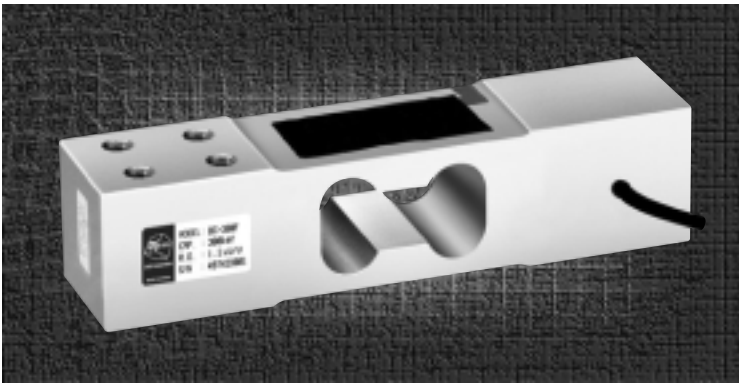
Ordering Information

BCM - XXXL

Capacity in kg

BC-F Single point load cell, 300kgf - 600kgf

DG CELL



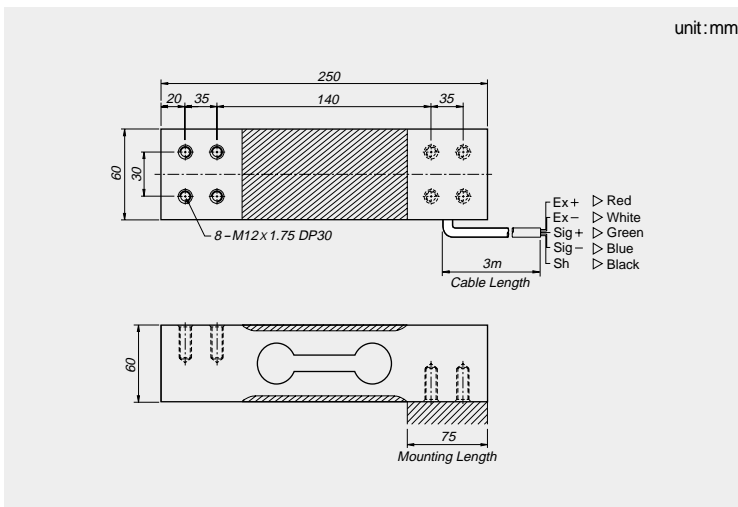
FEATURES

- Low cost
- Off center compensated
- Protection class IP65

SPECIFICATIONS

Max. capacity	kgf	300, 600
Rated output	mV/V	1.2 (Approx.)
Zero balance	mV/V	0 ± 0.06
Combined error	%	0.03
Repeatability	%	0.01
Creep for 30 min.	%	0.03
Temperature effect on		
Zero Value	%/10°C	0.04
Output value	%/10°C	0.015
Excitation		
Recommended	V	10
Maximum	V	15
Resistance		
Input	Ω	420 ± 20
Output	Ω	350 ± 3.5
Insulation	MΩ	> 2,000
Compensated temperature range	°C	-10 to +40
Operating temperature range	°C	-20 to +70

DIMENSIONS



Material

Anodized Aluminum

Mounting

Socket-head cap screw M12 × 1.75(10.9)
Tightening torque: 100Nm

Cable

Braided Shield 4-wire round cable
with PVC-Jacket

Maximum Platform Size

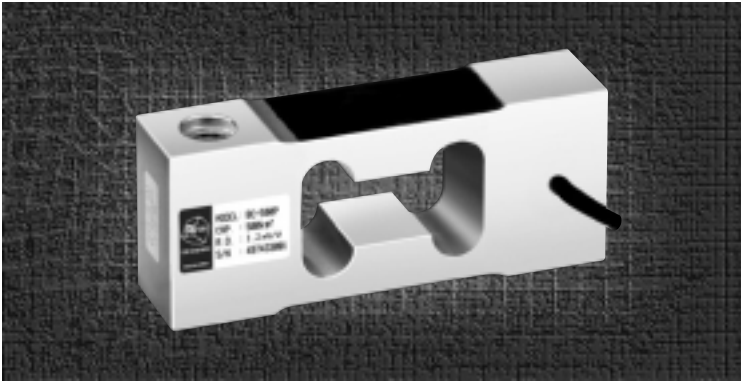
600 × 600mm (W × L)

Ordering Information

BC - XXXF

Capacity in kg

BC-P Single point load cell, 150kgf - 500kgf



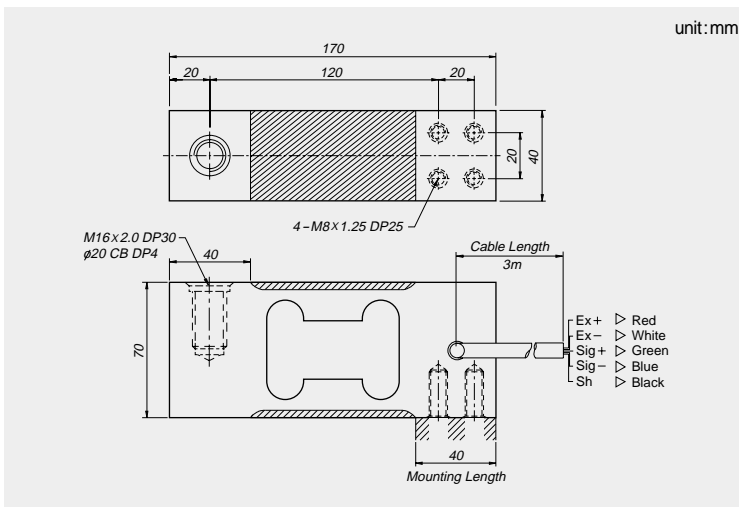
FEATURES

- Low cost
- Off center compensated
- Protection class IP65

SPECIFICATIONS

Max. capacity	kgf	150, 300, 500
Rated output	mV/V	1.2(Approx.)
Zero balance	mV/V	0 ± 0.06
Combined error	%	0.03
Repeatability	%	0.01
Creep for 30min.	%	0.03
Temperature effect on		
Zero Value	%/10°C	0.04
Output value	%/10°C	0.015
Excitation		
Recommended	V	10
Maximum	V	15
Resistance		
Input	Ω	420 ± 20
Output	Ω	350 ± 3.5
Insulation	MΩ	> 2,000
Compensated temperature range	°C	- 10 to +40
Operating temperature range	°C	- 20 to +70

DIMENSIONS



Material

Anodized Aluminum

Mounting

Socket-head cap screw M8 × 1.25(10.9)
Tightening torque: 29.5Nm

Cable

Braided Shield 4-wire round cable
with PVC-Jacket

Maximum Platform Size

400 × 600mm (W × L)

Ordering Information

BC - XXXP

Capacity in kg



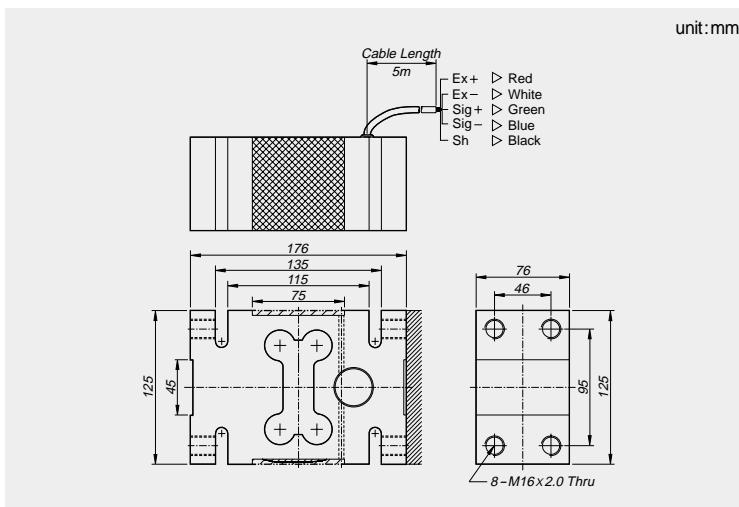
FEATURES

- Protection class IP65
- Large platform application
- Off center compensated

SPECIFICATIONS

Max. capacity	tf	500kgf, 1, 1.5, 2
Rated output	mV/V	2.0 ± 0.2
Zero balance	mV/V	0 ± 0.1
Combined error	%	0.03
Repeatability	%	0.01
Creep for 30 min.	%	0.03
Temperature effect on		
Zero Value	%/10°C	0.028
Output value	%/10°C	0.014
Excitation		
Recommended	V	10
Maximum	V	15
Resistance		
Input	Ω	400 ± 20
Output	Ω	350 ± 3.5
Insulation	MΩ	> 2,000
Compensated temperature range	°C	- 10 to +40
Operating temperature range	°C	- 20 to +70

DIMENSIONS



Material

Anodized Aluminum

Mounting

Bolt M16 × 2.0(10.9)

Tightening torque: 255Nm

Cable

Braided Shield 4-wire round cable with Urethane-Jacket

Maximum Platform Size

1200 × 1200mm

Ordering Information

BCH - XXXL

Capacity in kg

- XX

Capacity in ton

BCK Force sensor, 1kgf - 50kgf

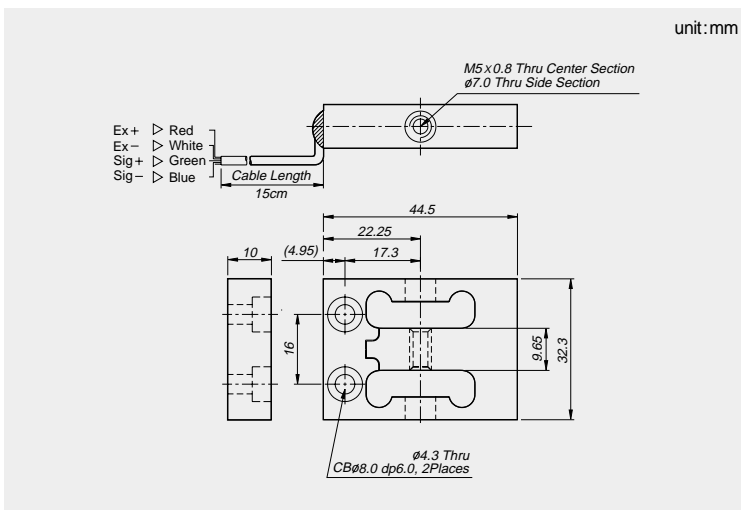
DG CELL



FEATURES

- High bridge impedance
- Overload protection
- Small size and light weight
- Simplified tension and compression loading

DIMENSIONS



SPECIFICATIONS

Max. capacity	1 kgf - 50kgf
Rated output	2.0 ± 0.2mV/V
Zero balance	0 ± 0.4mV/V
Linearity	0.05%R.O.
Hysteresis	0.05%R.O.
Repeatability	0.01%R.O.
Creep for 20min.	0.1%R.O.
Temperature effect on Zero Value	0.05%R.O./10°C
Output value	0.03%R.O./10°C
Excitation	
Recommended	10V
Maximum	15V
Resistance	
Input	1,160 ± 10 Ω
Output	1,000 ± 10 Ω
Insulation	> 2,000 MΩ
Compensated temperature range	- 10 to +40
Operating temperature range	- 20 to +80