

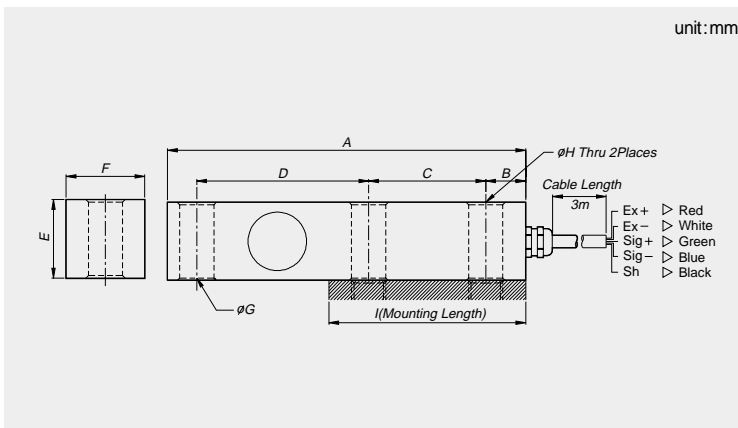
## FEATURES

- Low price high accuracy
- Protection class IP65

## SPECIFICATIONS

Max. capacity	kgf	500	1tf, 2tf, 3tf, 5tf, 10tf
Rated output	mV/V	$1.5 \pm 0.0037$	$2.0 \pm 0.005$
Zero balance	mV/V	$0 \pm 0.015$	$0 \pm 0.02$
Combined error	%		0.03
Repeatability	%		0.01
Creep for 30 min.	%		0.03
Temperature effect on			
Zero Value	%/10°C		0.028
Output value	%/10°C		0.015
Excitation			
Recommended	V		10
Maximum	V		15
Resistance			
Input	$\Omega$		$400 \pm 20$
Output	$\Omega$		$350 \pm 5$
Insulation	M $\Omega$		> 2,000
Compensated temperature range	°C		-10 to +40
Operating temperature range	°C		-20 to +80

## DIMENSIONS



### Material

Nickel plated steel

### Mounting

Capacity	Hexagon head-Bolt	Tightening torque
500kgf - 2tf	M14 × 2.0(10.9)	166Nm
5tf	M18 × 1.5(10.9)	350Nm
10tf	M24 × 2.0(10.9)	860Nm

### Cable

Braided shield 4-wire round cable with Urethane-jacket

Model	Capacity	A	B	C	D	E	F	G	H	I
BS-500L	500kgf	145	20	40	72	34	30	16	14.5	80
BS-1	1tf									
BS-2	2tf									
BS-5	5tf	205	25	55	105	48	38	20.5	20.5	105
BS-10	10tf	273	35	90	112.5	63	60	27.0 CB $\phi$ 50 DP12.5	27	145



## FEATURES

- OIML C3 approved (OIML R60)
- Protection class IP66

## OPTIONS

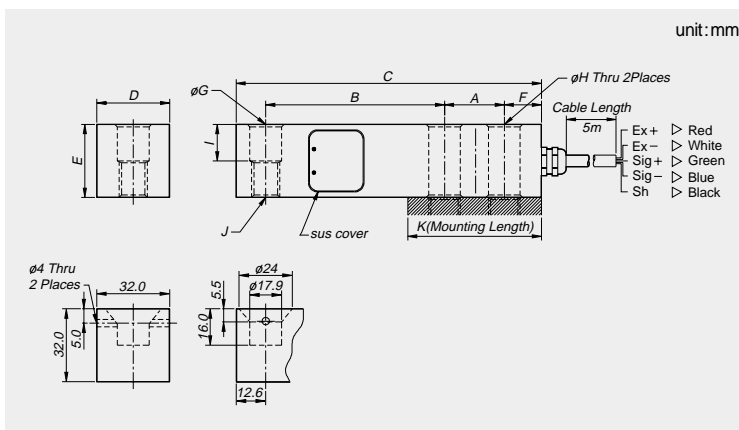
- OIML C3 approved
- Pivot end loading version



## SPECIFICATIONS

Max. capacity	kgf	500, 1tf, 2tf, 3tf, 5tf	
Rated output	mV/V	3.0 ± 0.0075	
Zero balance	mV/V	0 ± 0.03	
Accuracy class		D3	C3
Combined error	%	0.03	0.025
Repeatability	%	0.01	0.01
Creep for 30 min.	%	0.03	0.017
Temperature effect on			
Zero Value	%/10°C	0.028	0.014
Output value	%/10°C	0.015	0.011
Excitation			
Recommended	V	10	
Maximum	V	15	
Resistance			
Input	Ω	350 ± 3.5	
Output	Ω	350 ± 3.5	
Insulation	MΩ	> 2,000	
Compensated temperature range	°C	-10 to +40	
Operating temperature range	°C	-30 to +80	

## DIMENSIONS



## Material

Nickel plated steel

## Mounting

Capacity	Hexagon head-Bolt	Tightening torque
500kgf - 2tf	M12 × 1.75(10.9)	100Nm
3tf - 5tf	M18 × 1.5(10.9)	350Nm

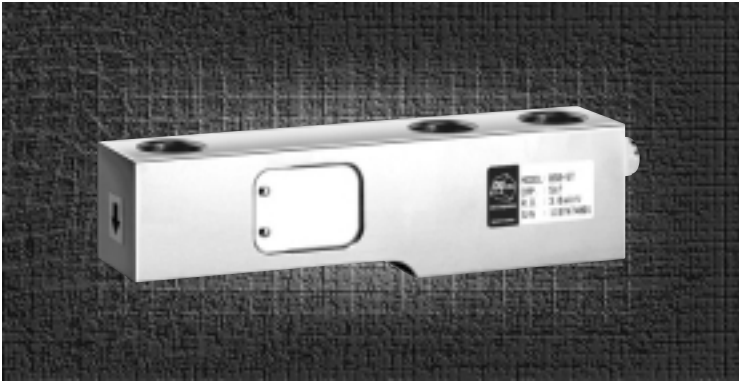
## Cable

Braided shield 4-wire round cable with Urethane-jacket

## Mounting Accessory

BSA-TW

Model	Capacity	A	B	C	D	E	F	G	H	I	J	K
BSA-500L	500kgf											
BSA-1	1tf	25.4	76.2	130	32	32	15.8	13.5	13.5	16.0	M12 × 1.75	52
BSA-2	2tf											
BSA-3	3tf											
BSA-5	5tf	38.1	95.3	171.5	38	38	19	20	20	19	M18 × 1.5	76.2



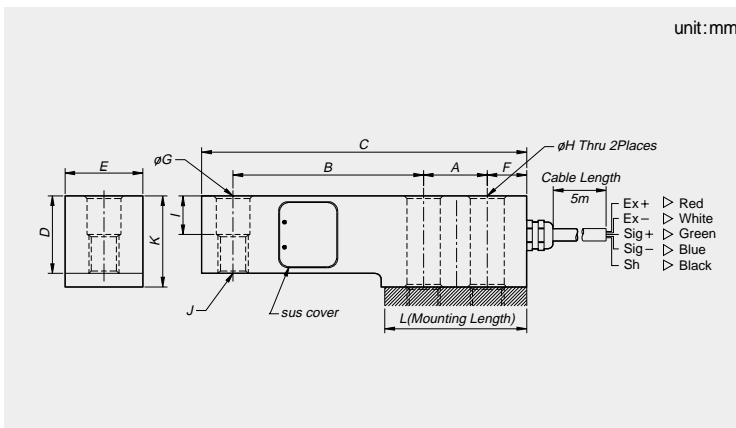
## FEATURES

- Protection class IP66
- Integral mounting space

## SPECIFICATIONS

Max. capacity	kgf	500, 1 tf, 2tf, 3tf, 5tf, 10tf
Rated output	mV/V	$3.0 \pm 0.0075$
Zero balance	mV/V	$0 \pm 0.03$
Combined error	%	0.03
Repeatability	%	0.01
Creep for 30min.	%	0.03
Temperature effect on		
Zero Value	%/10°C	0.028
Output value	%/10°C	0.015
Excitation		
Recommended	V	10
Maximum	V	15
Resistance		
Input	$\Omega$	$350 \pm 3.5$
Output	$\Omega$	$350 \pm 3.5$
Insulation	M $\Omega$	> 2,000
Compensated temperature range	°C	-10 to +40
Operating temperature range	°C	-30 to +80

## DIMENSIONS



## Material

Nickel plated steel

## Mounting

Capacity	Hexagon head-Bolt	Tightening torque
500kgf - 2tf	M12 × 1.75(10.9)	100Nm
3tf - 5tf	M18 × 2.0(10.9)	350Nm
10tf	M24 × 2.0(10.9)	860Nm

## Cable

Braided shield 4-wire round cable with Urethane-jacket

Model	Capacity	A	B	C	D	E	F	G	H	I	J	K	L
BSB-500L	500kgf	25.4	76.2	130	32	32	15.8	13.5	13.5	16.0	M12 × 1.75	38	57
BSB-1	1tf												
BSB-2	2tf												
BSB-3	3tf	38.1	95.3	171.5	38	38	19	20	20	19	M18 × 1.5	44.5	76
BSB-5	5tf												
BSB-10	10tf	50.8	120.7	223.3	50.8	50.8	26.4	26.2	26.2	25.4	M24 × 2.0	57.2	101



## FEATURES

- Stainless steel construction
- OIML C3 approved (OIML R60)
- Protection class IP67

## OPTIONS

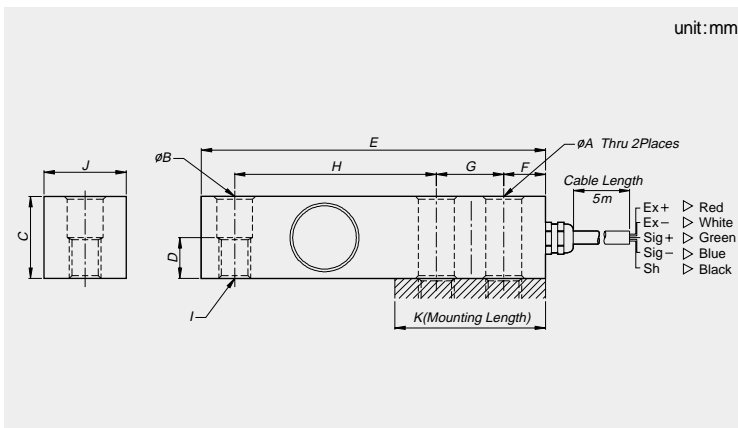
- OIML C3 approved
- Ex s II T4 approved



## SPECIFICATIONS

Max. capacity	kgf	500, 1tf, 2tf, 3tf, 5tf	
Rated output	mV/V	2.0 ± 0.005	
Zero balance	mV/V	0 ± 0.02	
Accuracy class		D3	C3
Combined error	%	0.03	0.025
Repeatability	%	0.01	0.01
Creep for 30 min.	%	0.03	0.017
Temperature effect on			
Zero Value	%/10°C	0.028	0.014
Output value	%/10°C	0.014	0.011
Excitation			
Recommended	V	10	
Maximum	V	15	
Resistance			
Input	Ω	350 ± 3.5	
Output	Ω	350 ± 3.5	
Insulation	MΩ	> 2,000	
Compensated temperature range	°C	-10 to +40	
Operating temperature range	°C	-30 to +80	

## DIMENSIONS



## Material

Stainless Steel

## Mounting

Capacity	Hexagon head-Bolt	Tightening torque
500kgf - 2tf	M12 × 1.75(10.9)	100Nm
3tf - 5tf	M18 × 1.5(10.9)	350Nm

## Cable

Braided shield 4-wire round cable with Urethane-jacket

## Mounting Accessory

BSS-TW

Model	Capacity	A	B	C	D	E	F	G	H	I	J	K
BSS-500L	500kgf	13.5	13.5	31.7	15.8	130	15.8	25.4	76.2	M12 × 1.75	31.7	52
BSS-1	1tf											
BSS-2	2tf											
BSS-3	3tf	20.0	20.0	38.1	19.1	171.5	19.0	38.1	95.3	M18 × 1.5	38.1	76.2
BSS-5	5tf											