



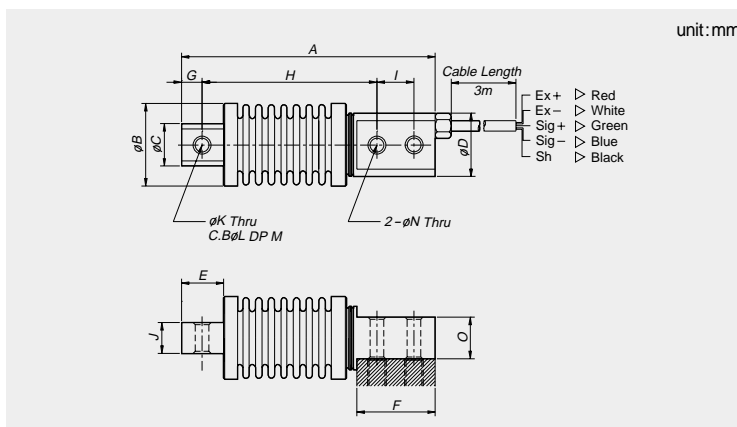
FEATURES

- All stainless steel construction
- Protection class IP67

SPECIFICATIONS

Max. capacity	kgf	20, 50, 100, 200, 500, 1 tf, 2tf
Rated output	mV/V	2.0 ± 0.005
Zero balance	mV/V	0 ± 0.02
Combined error	%	0.03
Repeatability	%	0.01
Creep for 30 min.	%	0.03
Temperature effect on		
Zero Value	%/10°C	0.028
Output value	%/10°C	0.015
Excitation		
Recommended	V	10
Maximum	V	15
Resistance		
Input	Ω	400 ± 20
Output	Ω	350 ± 3.5
Insulation	M Ω	> 2,000
Compensated temperature range	°C	-10 to +40
Operating temperature range	°C	-30 to +80

DIMENSIONS



Material

Stainless Steel

Mounting

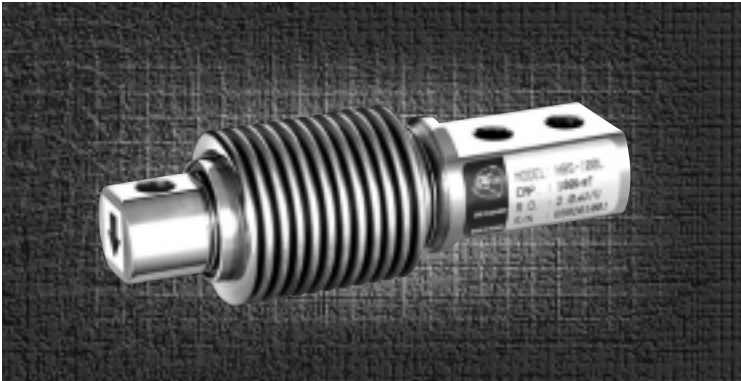
Capacity	Hexagon head-Bolt	Tightening torque
20, 50, 100 kgf	M8 × 1.25(10.9)	29Nm
200, 500kgf	M12 × 1.75(10.9)	100Nm
1, 2tf	M16 × 2.0(10.9)	255Nm

Cable

Braided shield 4-wire round cable with Urethane-jacket

Model	Capacity	A	B	C	D	E	F	G	H	I	J	K	L	M	N	O
HBB-20L	20 kgf	130	38	20	30	20	57	10	72	35	15	8	11	3	8.5	20
HBB-50L	50 kgf															
HBB-100L	100 kgf															
HBB-200L	200 kgf	200	56	30	52	40	80	20	120	45	25	12	15	3	14	40
HBB-500L	500 kgf															
HBB-1	1 tf	210	60	40	52	40	90	20	125	50	30	16	19	3	18	40
HBB-2	2tf															

HBS Bending beam load cell, 20kgf - 500kgf



FEATURES

- All stainless steel construction
- OIML C3 approved (OIML R60)
- Protection class IP67

OPTIONS

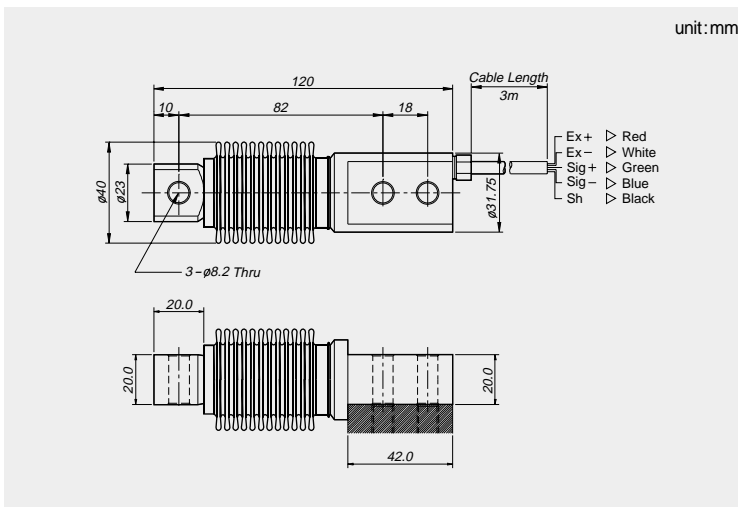
- OIML C3 approved
- Ex ia IIC T6 approved
- Ex nA IIC T4 approved



SPECIFICATIONS

Max. capacity	kgf	20, 50, 100, 200, 500	
Rated output	mV/V	2.0 ± 0.005	
Zero balance	mV/V	0 ± 0.02	
Accuracy class		D3	C3
Combined error	%	0.03	0.02
Repeatability	%	0.01	0.01
Creep for 30 min.	%	0.03	0.017
Temperature effect on			
Zero Value	%/10°C	0.028	0.014
Output value	%/10°C	0.015	0.011
Excitation			
Recommended	V	10	
Maximum	V	15	
Resistance			
Input	Ω	400 ± 20	
Output	Ω	350 ± 3.5	
Insulation	MΩ	> 2,000	
Compensated temperature range	°C	-10 to +40	
Operating temperature range	°C	-30 to +80	

DIMENSIONS



Material

Stainless Steel

Mounting

Socket-head cap screw M8 × 1.25(10.9)

Tightening torque: 29Nm

Cable

Braided Shield 4-wire round cable with Urethane-Jacket

Ordering Information

HBS - XXXL

Capacity in kg