



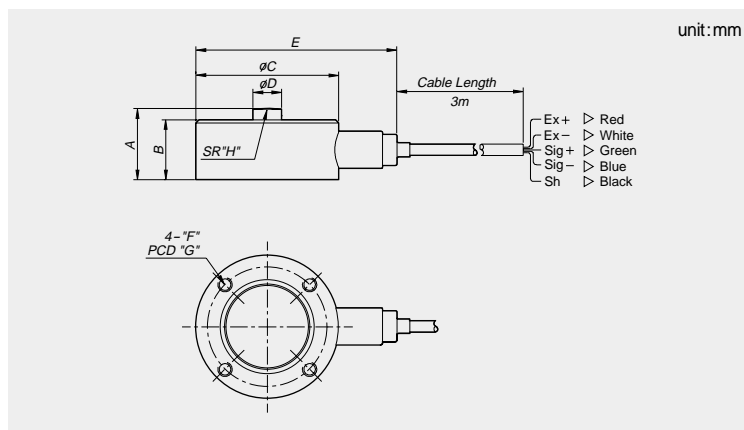
FEATURES

- Miniature dimension
- Compression application
- Application for limited space
- Protection class IP67

SPECIFICATIONS

Max. capacity	kgf	50, 100, 200, 500, 1tf, 2tf, 5tf, 10tf, 20tf
Rated output	mV/V	2.0 ± 0.005
Zero balance	mV/V	0 ± 0.06
Combined error	%	0.15
Repeatability	%	0.05
Creep for 30 min.	%	0.03
Temperature effect on		
Zero Value	%/10°C	0.05
Output value	%/10°C	0.10
Excitation		
Recommended	V	10
Maximum	V	15
Resistance		
Input	Ω	420 ± 30
Output	Ω	350 ± 3.5
Insulation	M Ω	> 2,000
Compensated temperature range	°C	- 10 to +40
Operating temperature range	°C	- 20 to +80

DIMENSIONS



Material

Stainless Steel
Paint finished steel (5tf - 20tf)

Cable

Braided shield 4-wire round cable
with Urethane-jacket

Model	Capacity	A	B	ϕC	ϕD	E	F	G	H
MNC-50L	50kgf	25	21	50	10	68	M5×0.8 dp7	42	50
MNC-100L	100kgf								
MNC-200L	200kgf								
MNC-500L	500kgf								
MNC-1	1tf	40	35	98	20	115	M6×1.0 dp8	72	150
MNC-2	2tf								
MNC-5	5tf								
MNC-10	10tf	45	40	98	20	115	M6×1.0 dp8	72	150
MNC-20	20tf	50	45	118	20	135	M8×1.25 dp10	90	250



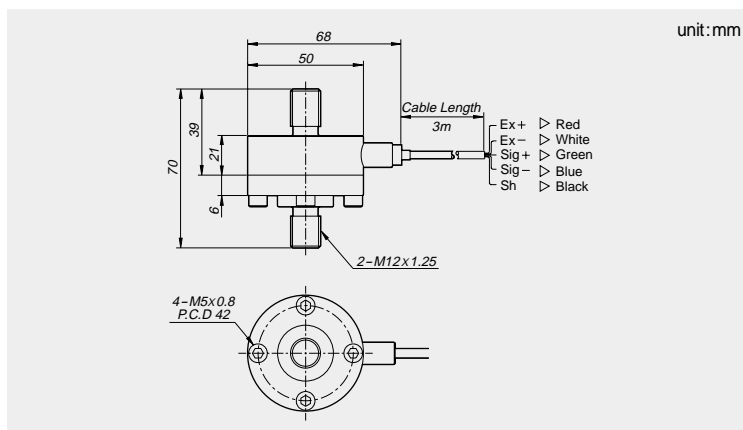
FEATURES

- Miniature dimension
- Stainless steel construction
- Tension application
- Application for limited space
- Protection class IP67

SPECIFICATIONS

Max. capacity	kgf	50, 100, 200, 500
Rated output	mV/V	2.0 ± 0.005
Zero balance	mV/V	0 ± 0.06
Combined error	%	0.15
Repeatability	%	0.05
Creep for 30 min.	%	0.03
Temperature effect on		
Zero Value	%/10°C	0.05
Output value	%/10°C	0.10
Excitation		
Recommended	V	10
Maximum	V	15
Resistance		
Input	Ω	420 ± 30
Output	Ω	350 ± 3.5
Insulation	M Ω	> 2,000
Compensated temperature range	°C	-10 to +40
Operating temperature range	°C	-20 to +80

DIMENSIONS



Material

Stainless Steel

Cable

Braided shield 4-wire round cable with Urethane-Jacket

Ordering Information

MNT - XXXL

Capacity in kg